



General Industrial Pressure Gauges

(Old JIS standard products are also available.)

OUTLINE

Corresponds to JIS B 7505-1999 Bourdon tube type pressure gauge. It is a pressure gauge with a construction which transmits the elastic deformation (movement) of a Bourdon tube to a pointer, and is easy to handle because its construction is simple. Also, wide pressure range measurements are performed and it is used in a wide range of fields.

FEATURES

- Reading of the pressure indication is easy, and handling is also simple.
- Pressure gauge measurement range is wide and it can respond even when corrosion-proof is demanded.

* When selecting a pressure gauge, select the pressure range over which the gauge will demonstrate top performance in a working pressure range within 30 to 65% of full scale. Also check whether the wetted parts material is suitable for the gas or fluid to be measured.

* When using with oxygen, please specify "Use no oil". When using with acetylene, please specify corrosion-proof use and "Use no oil".

SPECIFICATIONS 1

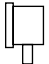
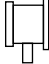
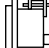
Fluid:

Gas or liquid

Size:

60 DIA. (Model: AA□□), 75 DIA. (Model: AC□□)
100 DIA. (Model: AE□□), 150 DIA. (Model: AG□□)
200 DIA. (Model : AJ□□)

Mounting:

Stem ...  Type A
 Type B (Mounting hole), Type C
Panel ...  Type D (Mounting clamp, Mounting hole)

Connection:

G1/4B (PF), G3/8B (PF), G1/2B (PF), 1/2NPT
R1/4 (PT), R3/8 (PT), R1/2 (PT)
* For other connections, please contact us.

Wetted parts materials:

Wetted parts generally mean the Bourdon tube and socket.
These parts contact the measured medium (gas or liquid) directly.

Purpose	Socket	Bourdon tube
General use	CAC203, C3604BD SUS316 or SCS14 (Depending on pressure range)	C6872T or SUS316 (Depending on pressure range, performance)
Ammonia use Corrosion-proof use	SUS316 or SCS14	SUS316

Pressure range:

0~40kPa → 0~100MPa
-0.1~0 → -0.1~2.5MPa

* For details, refer to the Minimum Graduation table in SPECIFICATIONS 4.

Accuracy:

±1.6% F.S. (JIS standard)
±1.5% F.S. (Old JIS standard mark)
±1.0% F.S. upon request.
(100DIA., 150DIA. and 200DIA. for the range 0.1MPa or over)

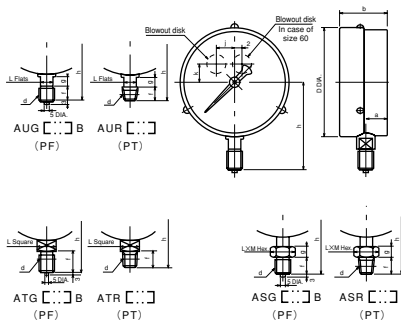
General Industrial Pressure Gauges

SPECIFICATIONS 2

Mounting · Dimensions: (Unit: mm)

Stem

Type A ... Socket is mounted directly onto the pipe. (Stem mounting)

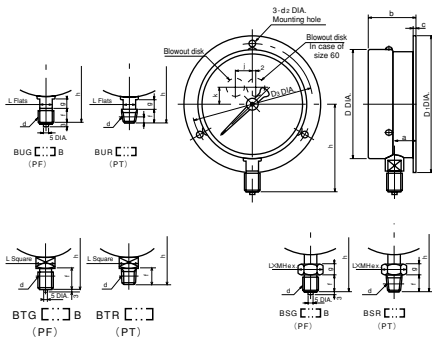


Size	Shape of connection	Case					Connection					Model number	
		D	a	b	j	k	f	g	L	M	h		
60	T	G1/4B R1/4	65	11.5	32	—	8	16	—	17	—	58	AA10—1□□
	U	G3/8B R3/8	78	16	40	15	10	18	12	14	—	70	
100	U	G3/8B R3/8	103	20	45	20	10	18	12	14	—	82	AE10—1□□
	S	G1/2B R1/2											
150	U	G3/8B R3/8	153	20	50	20	10	18	12	14	—	110	AG10—1□□
	S	G1/2B R1/2											

Weight:

Size	Weight (g)
60	Approx. 200
75	400
100	600
150	900
200	1200

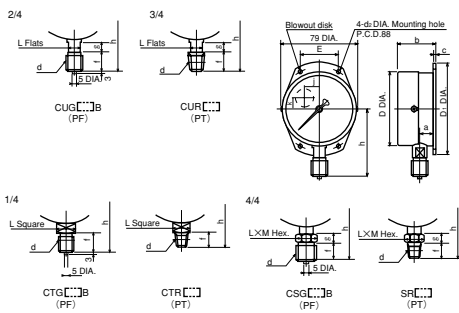
Type B ... Back flange is fastened to panel by screw. (Surface mounting)



Size	Shape of connection	Case							Connection					Model number			
		D	D ₁	D ₃	a	b	c	d ₂	j	k	f	g	L		M	h	
60	T	G1/4B R1/4	65	80	72	11.5	32	2	4.5	—	8	16	—	17	—	58	AA10—2□□
	U	G3/8B R3/8	78	98	88	16	40	2	4.5	15	10	18	12	14	—	70	
100	U	G3/8B R3/8	103	128	115	20	45	2.5	5.5	20	10	18	12	14	—	82	AE10—2□□
	S	G1/2B R1/2															
150	U	G3/8B R3/8	153	178	165	20	50	2.5	5.5	20	10	18	12	14	—	110	AG10—2□□
	S	G1/2B R1/2															
200	U	G1/2B R1/2	204	235	220	24	58.5	2.5	5.5	20	10	20	15	17	—	152	AJ10—2□□

For surface mounting, please provide a 25mm dial. hole in the wall for blowout disk.

Type C ... Back flange is fastened to panel by screw. (Surface mounting)

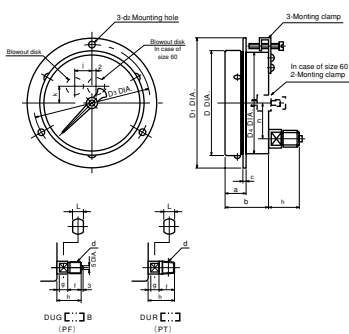


Size	Shape of connection	Case							Connection					Model number			
		D	D ₁	E	a	b	c	d ₂	j	k	f	g	L		M	h	
60	T	G1/4B R1/4	65	80	30	11.5	32	2	4.5	—	8	16	—	17	—	58	AA10—8□□
	U	G3/8B R3/8	78	98	40	16	40	2	4.5	15	10	18	12	14	—	70	
100	U	G3/8B R3/8	103	128	50	20	45	2.5	5.5	20	10	18	12	14	—	82	AE10—8□□
	S	G1/2B R1/2															
150	U	G3/8B R3/8	153	178	76	20	50	2.5	5.5	20	10	18	12	14	—	110	AG10—8□□
	S	G1/2B R1/2															

For surface mounting, please provide a 25mm dial. hole in the wall for blowout disk.

Panel

Type D ... Panel mounting by screw or clamp.



Size	Panel cut size	Shape of connection	Case										Connection				Model number		
			D	D ₁	D ₃	D ₄	a	b	c	d ₂	n	j	k	f	g	L		h	
60	65	U	G1/4B R1/4	65	80	72	64	14	32	2	4.5	20	—	8	16	10	12	28	AA15—□□□
75	78	U	G3/8B R3/8	78	98	88	77	18.5	40	2	4.5	25	15	10	18	12	14	30	AC15—□□□
100	103	U	G3/8B R3/8	103	128	115	102	21	45	2.5	5.5	35	20	10	18	12	14	30	AE15—□□□
		S	G1/2B R1/2																
150	154	U	G3/8B R3/8	153	178	165	152	24	50	2.5	5.5	55	20	10	18	12	14	30	AG15—□□□
		S	G1/2B R1/2																
200	205	U	G1/2B R1/2	204	235	220	203	18.5	50	3	5.5	55	20	10	20	12	17	32	AJ15—□□□

SPECIFICATIONS 3

Specifications & additional spec.

Blowout disk:

When the Bourdon tube explodes in an emergency, it vents the internal pressure from the blowout disk and blowout disk prevents the window from puncturing.

Note: To maintain normal function, when installing, please provide a space of at least 10mm behind the gauge. Don't process or stop up the blowout disk.

Pointer:

In addition to standard type, zero adjustable pointer is also available. If maximum pointer or setting pointer is required, please choose from selection spec.

Window:

In addition to standard glass, special material glass, such as tempered glass, non-glare glass are also available.

Function:

Standard, Steam use (M), Heat-proof (H), Vibration-proof (V), Steam use & Vibration-proof (MV), Heat-proof · Vibration proof (HV)
 * Division of application is based on JISB7505 Bourdon gauge.
 * Impulse pressure type (60DIA., 100DIA. only) is also available upon request.

Treatment:

Use no oil /Use no water ... Manufactured so that oil and/or water does not remain on the wetted parts.

Option:

Case color ... For non-standard, please specify.

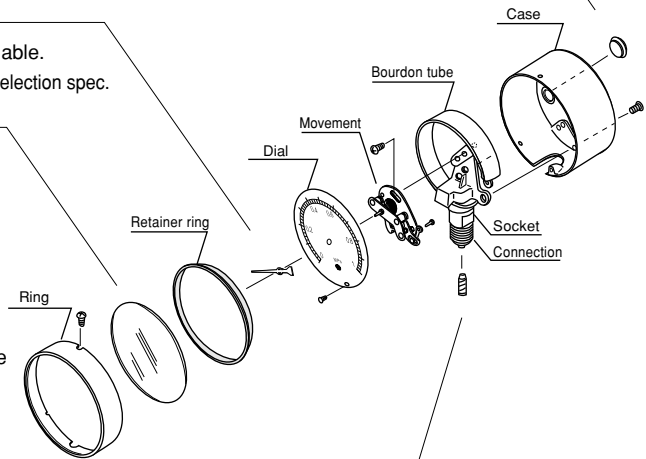
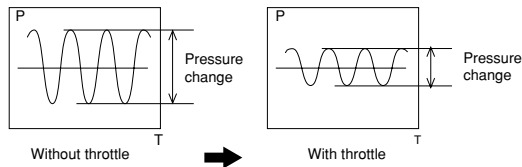
Connection:

We have three methods of connecting the wetted parts.
 Soldering ... For brass series material.
 Silver soldering ... For brass series material and stainless steel material.
 TIG welding ... For welding between stainless steel material.

Pulsating pressure:

Caused by the pump characteristic of the pump generator and is the general term for the top and bottom pressure drift and is very harmful to a pressure gauge.

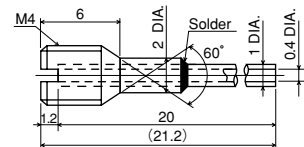
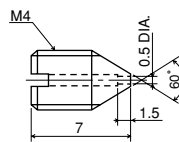
[THROTTLE EFFECT]



Throttle: (Option)

The input port is equipped with a throttle to reduce pulsating pressure. Select it from the following models:

FS10-011, FS10-081 (with pipe), corrosion-proof use FS10-013



Model number	Material
FS10-011	C3604BD
FS10-013 (Corrosion-proof use)	SUS316

Model number	Material
FS10-081 (With pipe)	C3604BD (Pipe: C1100T)

CASE COLOR, CASE MATERIAL

Case Color (Standard color)	Mounting · type	Type Manufactured or not	60 DIA.	75 DIA.	100 DIA.	150 DIA.	200 DIA.	
Black	Stem Type A	Metal (Aluminium alloy)	AC7A	—	—	—	—	
				—	—	—	○	
				—	—	—	—	
	Panel Type D (Mounting clamp)			—	—	—	○	○
	Type D (Mounting hole)			—	—	—	○	○
	Stem Type A			○	○	○	○	—
	Type B	○	○	○	○	—		
	Type C	○	○	○	○	—		
	Panel Type D (Mounting clamp)	○	○	○	—	—		
	Type D (Mounting hole)	○	○	○	—	—		

General Industrial Pressure Gauges

SPECIFICATIONS 4

Minimum graduation:

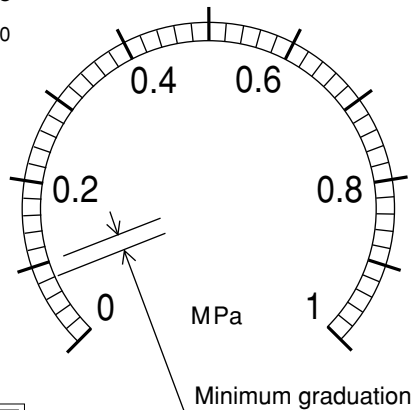
Scale divisions are different according to range and dial size. Minimum graduations are shown in the following table.

Pressure Range (MPa)	Size · Accuracy									
	60 DIA.		75 DIA.		100·150 DIA.			200 DIA.		
	JIS 1.6%	Old JIS 1.5%	JIS 1.6%	Old JIS 1.5%	JIS 1.6%	Old JIS 1.0%	JIS 1.5%	JIS 1.6%	Old JIS 1.0%	Old JIS 1.5%
0 ~ 40kPa	—	—	—	2	1	—	1	1	—	1
~ 0.05	—	—	—	0.002	—	—	0.001	—	—	0.001
~ 0.06	—	—	—	—	0.001	—	—	0.001	—	—
~ 0.08	—	—	—	0.002	—	—	0.002	—	—	0.002
~ 0.1	0.002	0.005	0.002	0.005	0.002	0.002	0.005	0.002	0.002	0.002
~ 0.16	0.005	—	0.005	—	0.005	0.002	—	0.005	0.002	—
~ 0.2	—	0.01	—	0.01	—	—	0.005	—	—	0.005
~ 0.25	0.005	—	0.005	—	0.005	0.005	—	0.005	0.005	—
~ 0.3	—	0.01	—	0.01	—	—	0.01	—	—	0.01
~ 0.4	0.01	0.02	0.01	0.02	0.01	0.005	0.01	0.01	0.005	0.01
~ 0.6	0.01	0.02	0.01	0.02	0.01	0.01	0.02	0.01	0.01	0.02
~ 1	0.02	0.05	0.02	0.05	0.02	0.02	0.02	0.02	0.02	0.02
~ 1.5	—	0.05	—	0.05	—	—	0.05	—	—	0.05
~ 1.6	0.05	—	0.05	—	0.05	0.02	—	0.05	0.02	—
~ 2	—	0.1	—	0.1	—	—	0.05	—	—	0.05
~ 2.5	0.05	0.1	0.05	0.1	0.05	0.05	0.05	0.05	0.05	0.05
~ 3.5	—	0.1	—	0.1	—	—	0.1	—	—	0.1
~ 4	0.1	—	0.1	—	0.1	0.05	—	0.1	0.05	—
~ 5	—	0.2	—	0.2	—	—	0.1	—	—	0.1
~ 6	0.1	—	0.1	—	0.1	0.1	—	0.1	0.1	—
~ 7	—	0.2	—	0.2	—	—	0.2	—	—	0.2
~ 10	0.2	0.5	0.2	0.5	0.2	0.2	0.2	0.2	0.2	0.2
~ 15	—	0.5	—	0.5	—	—	0.5	—	—	0.5
~ 16	0.5	—	0.5	—	0.5	0.2	—	0.5	0.2	—
~ 25	0.5	1	0.5	1	0.5	0.5	0.5	0.5	0.5	0.5
~ 35	—	—	—	1	—	—	1	—	—	1
~ 40	—	—	1	—	1	0.5	—	1	0.5	—
~ 50	—	—	—	2	—	—	1	—	—	1
~ 60	—	—	—	—	1	1	—	1	1	—
~ 70	—	—	—	—	—	—	2	—	—	2
~ 100	—	—	—	—	2	2	2	2	2	2
-0.1 ~ 0	0.002	0.005	0.002	0.005	0.002	0.002	0.002	0.002	0.002	0.002
~ 0.1	0.005	0.01	0.005	0.01	0.005	0.002	0.005	0.005	0.002	0.005
~ 0.16	0.005	—	0.005	—	0.005	0.005	—	0.005	0.005	—
~ 0.2	—	0.01	—	0.01	—	—	0.01	—	—	0.01
~ 0.25	0.01	—	0.01	—	0.01	0.005	—	0.01	0.005	—
~ 0.3	—	0.02	—	0.02	—	—	0.01	—	—	0.01
~ 0.4	0.01	0.02	0.01	0.02	0.01	0.01	0.01	0.01	0.01	0.01
~ 0.6	0.02	0.02	0.02	0.02	0.02	0.01	0.02	0.02	0.01	0.02
~ 1	0.02	0.05	0.02	0.05	0.02	0.02	0.02	0.02	0.02	0.02
~ 1.5	—	0.05	—	0.05	—	—	0.05	—	—	0.05
~ 1.6	0.05	—	0.05	—	0.05	0.02	—	0.05	0.02	—
~ 2	—	0.1	—	0.1	—	—	0.05	—	—	0.05
~ 2.5	0.05	0.1	0.05	0.1	0.05	0.05	0.05	0.05	0.05	0.05

* The ranges and sizes in are type approved products.

Example of scale

Size 100 · 150



TYPE APPROVAL

If an approved product is required:

We were approved and qualified as a state-approved manufacturer and the pressure ranges and size of the gauges specified in the table in "Specifications 4" were obtained on November 1, 1996.

From this entitlement, our inspection equals that of the previous inspection.

Also, instead of the approved mark, there will be the standard conformance mark of proof labelled on the approved products.

Scale Options

Capacity scale, dual scale, printed words or colored circle, etc. are available as option.

Type Approval Number:

Brass as the material of the Bourdon Tube x 951
SUS as x 9618

State-Approved Manufacturer Number:

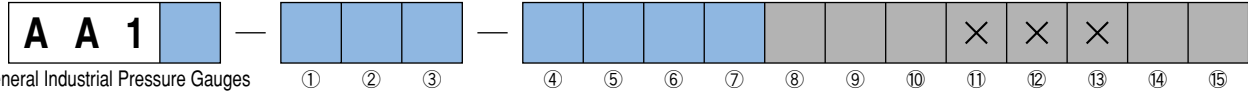
272001

General Industrial Pressure Gauges

Model number configuration

When ordering, please specify the model number, each spec and range.

Model name



General Industrial Pressure Gauges
(60 DIA.)

Model number	Selective spec.	Additional spec. (Option)
--------------	-----------------	---------------------------

Model	0	Stem
	5	Panel

① Mounting	1	Stem Type A	Panel Type D (Mounting clamp)
	2	Type B (Mounting hole)	Type D (Mounting hole)
	8	Type C	_____

② Connection	2	G1/4B (T Socket)	
	5	G1/4B (U Socket)	AA10 only
	7	R 1/4	

③ Wetted parts materials	1	General use	
	2	Ammonia use	SUS
	3	Corrosion-proof use	SUS

(When ordering, please specify the range and units separately.)	④ Pressure range (MPa)	2	-0.1~0.1, 0.16, 0.2, 0.25, 0.3, 0.4, 0.6, 1, 1.5, 1.6, 2, 2.5
		3	-0.1~0, 0~0.1, 0.16, 0.2, 0.25, 0.3, 0.4, 0.6, 1, 1.5, 1.6, 2, 2.5, 3.5
		4	0~4, 5, 6, 7, 10
		5	0~15, 16, 25 (AA10□ for 35MPa is not available)

⑤ Function	0	Standard
	A	M: Steam use
	C	V: Vibration-proof type
	D	MV: Steam use · Vibration-proof type

⑥ Pointer	0	Standard
	2	Zero adjustable (spring type) Not a type-approved product.
	5	Max pointer
	6	Setting pointer

⑦ Window	0	Standard
	2	Tempered glass
	3	Non-glare treatment glass
	6	Non-frost coat treatment glass

⑧ Treatment	0	Nil
	1	Use no oil
	2	Use no water
	3	Use no oil & water

⑨ Throttle	0	Nil
	1	FS10-011 or FS10-013 Corrosion-proof use
	3	FS10-081 (With pipe)

⑩ Other additional spec.	0	Nil
	1	Required (Please specify the desired documents separately.) Approved products, Dial scale, Case color

⑭ Class	J	JIS Accuracy±1.6%
	X	Not JIS

⑮ Documents	0	Nil
	1	Required (Please specify the desired documents separately.) Submission drawings, instruction manual, inspection procedure, mill sheet, test report (1 pc 1 copy), traceability certificate, attended inspection

③ Wetted parts materials

Purpose	Socket	Bourdon tube	Connecting
1 General use (Not available for 50MPa or over.)	Pressure range 35MPa or less: CAC203 But AA10 only C3604BD Pressure range 35MPa or over: SUS316 or SCS14	Pressure range 3.5MPa or less: · General type, Vibration-proof type C6872T · Steam use corrosion-proof type, Heat-proof type Steam use · vibration-proof type, Heat-proof · vibration-proof type SUS316 Pressure range 3.5MPa or over: SUS316	Soldering for between brass and SUS316 Silver soldering for brass and SUS316 Tig-welding for between SUS316
2 Ammonia use	*SUS316 or SCS14	SUS316	Tig-welding
3 Corrosion-proof use	*SUS316 or SCS14	SUS316	Tig-welding

*SUS316 is AA10 only

* Type C (A□10-8□□□), Connection G1/4B (A□10-□5□□) are not type approved products.

Specify "X" if there is no specification item.

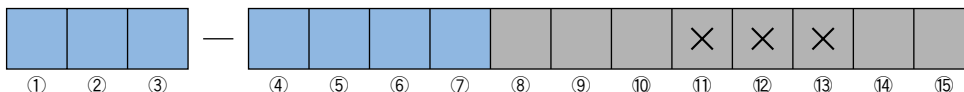
General Industrial Pressure Gauges

Model number configuration

When ordering, please specify the model number, each spec and range.

Model name

A C 1



General Industrial Pressure Gauges
(75 DIA.)

Model number	Selective spec.	Additional spec. (Option)
--------------	-----------------	---------------------------

Model	0	Stem
	5	Panel

① Mounting	1	Type A	Panel	Type D (Mounting clamp)
	2	Type B (Mounting hole)		Type D (Mounting hole)
	8	Type C		_____

② Connection	2	G1/4B	
	3	G3/8B (U Socket)	
	5	G3/8B (T Socket)	AC10 only
	7	R 1/4	
	8	R 3/8	

③ Wetted parts materials	1	General use	Not available for 50MPa
	2	Ammonia use	SUS
	3	Corrosion-proof use	SUS

(When ordering, please specify the range and units separately.)

④ Pressure range (MPa)	1	0~40kPa, 0.05, 0.08
	2	-0.1~0.1, 0.16, 0.2, 0.25, 0.3, 0.4, 0.6, 1, 1.5, 1.6, 2, 2.5
	3	-0.1~0, 0~0.1, 0.16, 0.2, 0.25, 0.3, 0.4, 0.6, 1, 1.5, 1.6, 2, 2.5, 3.5
	4	0~4, 5, 6, 7, 10
	5	0~15, 16, 25, 35
	6	0~40, 50

⑤ Function	0	Standard
	A	M: Steam use
	C	V: Vibration-proof type
	D	MV: Steam use · Vibration-proof type

⑥ Pointer	0	Standard
	1	Zero adjustable (micro meter type) Not a type-approved product.
	2	Zero adjustable (spring type) Not a type-approved product.
	5	Max pointer
	6	Setting pointer

⑦ Window	0	Standard
	2	Tempered glass
	3	Non-glare treatment glass
	6	Non-frost coat treatment glass

⑧ Treatment	0	Nil
	1	Use no oil
	2	Use no water
	3	Use no oil & water

⑨ Throttle	0	Nil
	1	FS10-011 or FS10-013 Corrosion-proof use
	3	FS10-081 (With pipe)

⑩ Other additional spec.	0	Nil
	1	Required (Please specify the desired documents separately.) Approved products, Dial scale, Case color

⑭ Class	J	JIS Accuracy ±1.6%
	X	Not JIS

⑮ Documents	0	Nil
	1	Required (Please specify the desired documents separately.) Submission drawings, instruction manual, inspection procedure, mill sheet, test report (1 pc 1 copy), traceability certificate, attended inspection

③ Wetted parts materials

Purpose	Socket	Bourdon tube	Connecting
1 General use (Not available for 50MPa or over.)	Pressure range 35MPa or less: CAC203 But AA10 only C3604BD Pressure range 35MPa or over: SUS316 or SCS14	Pressure range 3.5MPa or less: · General type, Vibration-proof type C6872T · Steam use corrosion-proof type, Heat-proof type · Steam use · vibration-proof type, Heat-proof · vibration-proof type SUS316 Pressure range 3.5MPa or over: SUS316	Soldering for between brass and SUS316 Silver soldering for brass and SUS316 Tig-welding for between SUS316
2 Ammonia use	*SUS316 or SCS14	SUS316	Tig-welding
3 Corrosion-proof use	*SUS316 or SCS14	SUS316	Tig-welding

*SUS316 is AA10 only

* Type C (A□10-8□□), Connection G1/4B (A□10-□5□) are not type approved products.

Specify "X" if there is no specification item.

General Industrial Pressure Gauges

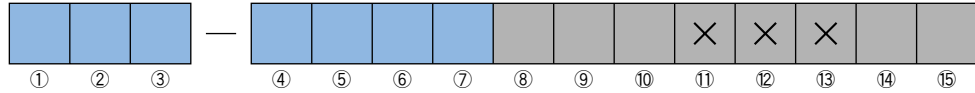
Model number configuration

When ordering, please specify the model number, each spec and range.

Model name

A G 1

General Industrial Pressure Gauges
(150 DIA.)



Model number	Selective spec.	Additional spec. (Option)
--------------	-----------------	---------------------------

Model	0	Stem
	5	Panel

① Mounting		Stem	Panel
	1	Type A	Type D (Mounting clamp)
	2	Type B (Mounting hole)	Type D (Mounting hole)

② Connection	3	G3/8B
	4	G1/2B
	6	1/2NPT
	8	R3/8
	9	R1/2

③ Wetted parts materials	1	General use	Not available for 50MPa or over
	2	Ammonia use	SUS
	3	Corrosion-proof use	SUS

(When ordering, please specify the range and units separately.)

④ Pressure range (MPa)	1	0~40kPa, 0~0.05, 0.06, 0.08
	2	-0.1~0.1, 0.16, 0.2, 0.25, 0.3, 0.4, 0.6, 1, 1.5, 1.6, 2, 2.5
	3	-0.1~0, 0~0.1, 0.16, 0.2, 0.25, 0.3, 0.4, 0.6, 1, 1.5, 1.6, 2, 2.5, 3.5
	4	0~4, 5, 6, 7, 10
	5	0~15, 16, 25, 35
	6	0~40, 50, 60, 70
	7	0~100

⑤ Function	0	Standard	C	V: Vibration-proof type
	A	M: Steam use	D	MV: Steam use · Vibration-proof type
	B	H: Heat-proof type	E	HV: Heat-proof · Vibration-proof type

⑥ Pointer	0	Standard
	1	Zero adjustable (micro meter type) Not a type-approved product.
	2	Zero adjustable (spring type) Not a type-approved product.
	5	Max pointer
	6	Setting pointer

⑦ Window	0	Standard
	2	Tempered glass
	3	Non-glare treatment glass
	6	Non-frost coat treatment glass

⑧ Treatment	0	Nil
	1	Use no oil
	2	Use no water
	3	Use no oil & water

⑨ Throttle	0	Nil
	1	FS10-011 or FS10-013 Corrosion-proof use
	3	FS10-081 (With pipe)

⑩ Other additional spec.	0	Nil
	1	Required (Please specify the desired documents separately.) Approved products, Dial scale, Case color Accuracy 1%

⑭ Class	J	JIS Accuracy ±1.6%
	X	Not JIS

⑮ Documents	0	Nil
	1	Required (Please specify the desired documents separately.) Submission drawings, instruction manual, inspection procedure, mill sheet, test report (1 pc 1 copy), traceability certificate, attended inspection

③ Wetted parts materials

Purpose	Soket	Bourdon tube	Connecting
1 General use (Not available for 50MPa or over.)	Pressure range 35MPa or less: CAC203 But AA10 only C3604BD Pressure range 35MPa or over: SUS316 or SCS14	Pressure range 3.5MPa or less: · General type, Vibration-proof type C6872T · Steam use corrosion-proof type, Heat-proof type Steam use · vibration-proof type, Heat-proof · vibration-proof type SUS316 Pressure range 3.5MPa or over: SUS316	Soldering for between brass and SUS316 Silver soldering for brass and SUS316 Tig-welding for between SUS316
2 Ammonia use	* SUS316 or SCS14	SUS316	Tig-welding
3 Corrosion-proof use	* SUS316 or SCS14	SUS316	Tig-welding

*SUS316 is AA10 only

Specify "X" if there is no specification item.



NAGANO KEIKI CO., LTD.

OVERSEAS SALES DEPT

: 1-30-4, HIGASHIMAGOME OHTA-KU, TOKYO, JAPAN

Phone : +81-3-3776-5328

F a x : +81-3-3776-5447

E-mail : overseas_sales_dept@naganokeiki.co.jp

URL : <http://www.naganokeiki.co.jp/>

GERMANY

- ADZ NAGANO GmbH
Bergener Ring 43
01458 Ottendorf-Okrilla
Phone : +49-35205-596930
F a x : +49-35205-596959
- Nagano Keiki Solutions Support Center
Bergener Ring 43
01458 Ottendorf-Okrilla
Phone : +49-35205-75701
F a x : +49-35205-75702

CHINA

- NAGANO FUKUDA (Tianjin)
Instruments CO., LTD.
10 Muning 1st Avenue TEDA Tianjin China
Phone : +86-22-5981-0966
+86-22-6620-4348
F a x : +86-22-5981-0967
+86-22-6620-4349

KOREA

- KOREA NAGANO CO., LTD.
#296-2 Osan-ri,
Dongtan-myun, Hwaseong-shi,
Kyonggi-do, Korea
Phone: +82-31-379-3934
F a x : +82-31-379-3936

JAPAN

OVERSEAS SALES DEPT.

U.S.A.

- DRESSER-NAGANO, INC.



- OVERSEAS PLANT
- OVERSEAS SALES NETWORK

Gets ISO 9001, ISO 14001, ISO/TS 16949 Certification

The contents in the catalogue are subject to change without notice.