



# Receiver Gauges

## OUTLINE

This is a receiver gauge for the application of air pressure transmitting type pressure gauges, thermometers, flow meters, volume meters, and other various types of pneumatic control meters.

The pressure element of this gauge is specially manufactured for a receiver gauges by increasing a torque and, additionally, decreasing hysteresis, demonstrating a high receiving characteristic.

The scale angle is 270 for an actual pressure of 20 kPa to 100 kPa, making reading easier.

## FEATURES

- The exterior dimensions and attaching method of this gauge is the same as that of JIS pressure gauges, making attaching work easier.
- Appropriate graduations in accordance with application can be selected.

## SPECIFICATION

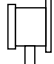
### Fluid:

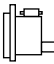
Gas

### Size:

100 DIA., 150 DIA., □110

### Mounting:

Stem . . . .  Type B (mounting hole)

Panel . . . .  Type D (mounting clamp, mounting hole)  
Type Do (mounting clamp . . . . U-type)

### Connection:

G3/8B (PF), Rc1/4 (PT female)

\* For other connections, please contact us.

### Gas contact part:

Bourdon tube Phosphor bronze (C5191T)

Socket CAC203

### Pressure range (input):

20 ~ 100kPa

### Operating temperature:

-5 ~ 40°C

### Accuracy:

±0.75%F.S.

### Scale angle:

270°

### Standard dial:

Pressure · vacuum · compound range,  
0 ~ 10, 0 ~ 100% (Unify scale, root scale)

### Window:

Inorganic glass

### Case material · finishing:

Aluminium alloy die casting (ADC12), Aluminium alloy casting (AC7A), Zinc alloy die casting (ZDC2)  
(Depending on model) Black

### Blowout disk:

When an emergency, Bourdon tube exploded, it open up internal pressure from blowout disk, and blowout disk vents puncture of Window.

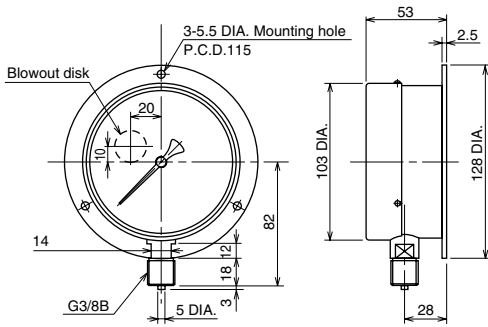
Note To keep normal function, please take a space behind of gauge at least 10mm when installing. Don't process or stop up the blowout disk.

### Weight:

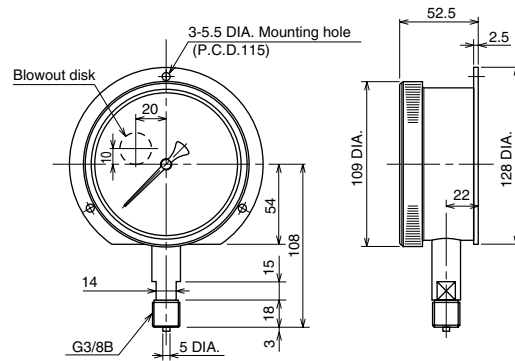
Approx. 0.6kg ~ Approx. 1.6kg

# DIMENSIONS 1

## 100 DIA. Stem

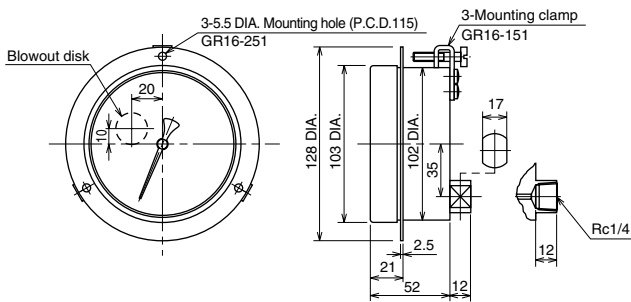


GR11-231

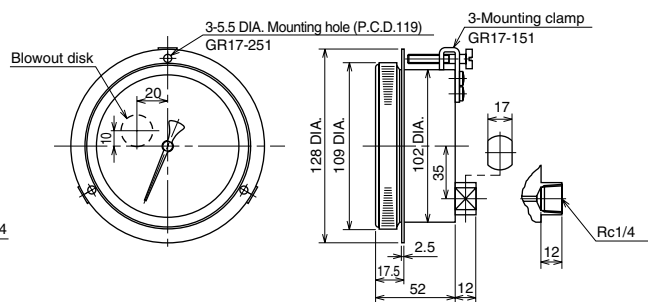


GR12-231

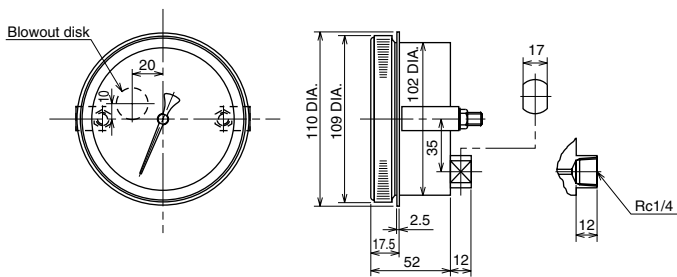
## 100 DIA. Panel



GR16-□51



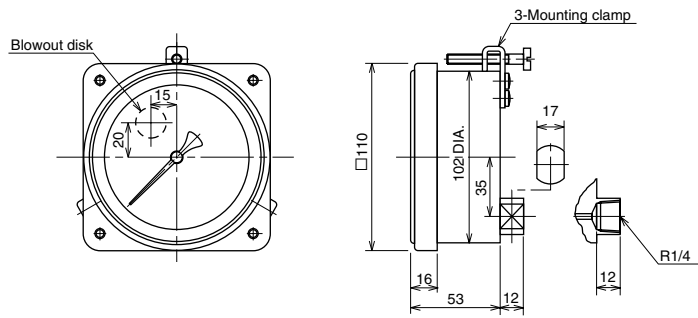
GR17-□51



GR18-151

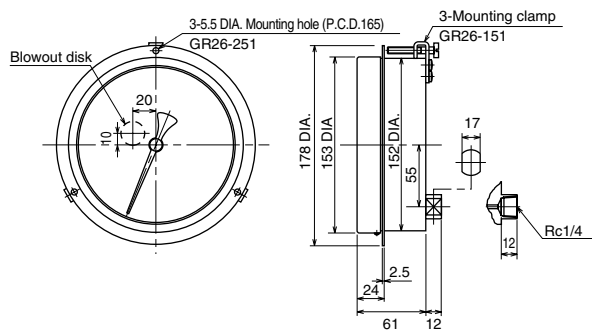
## DIMENSIONS 2

### □110 Panel

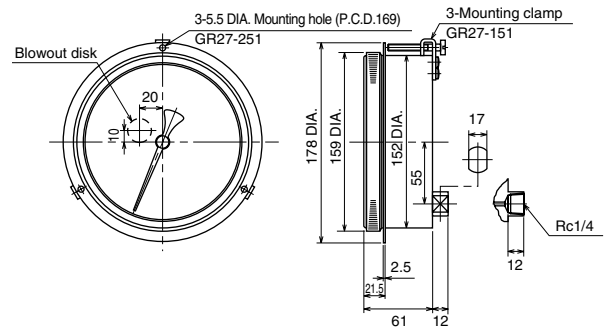


GR19-151

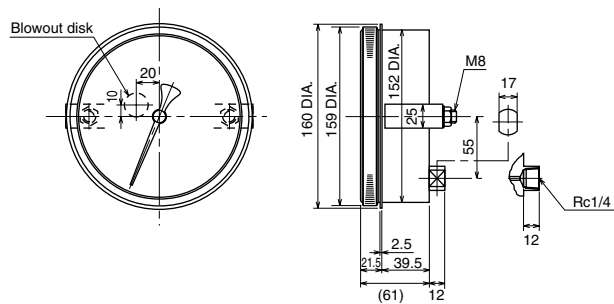
### 150 DIA. Panel



GR26-□51



GR27-□51



GR28-151

